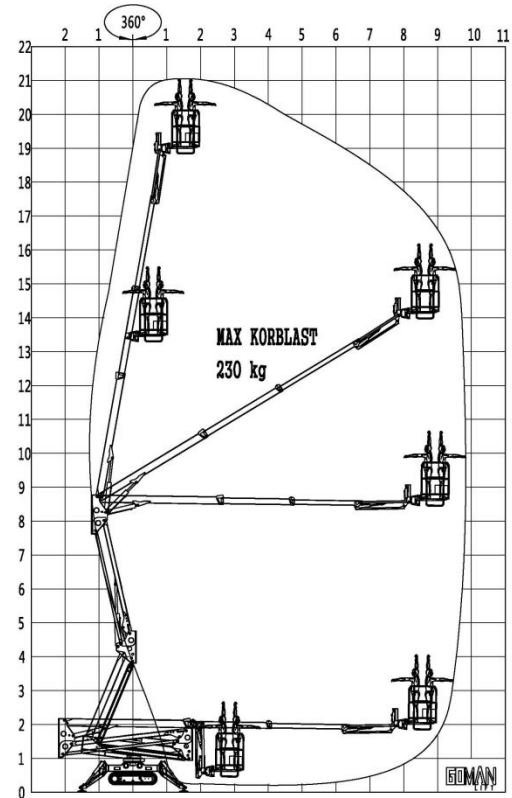




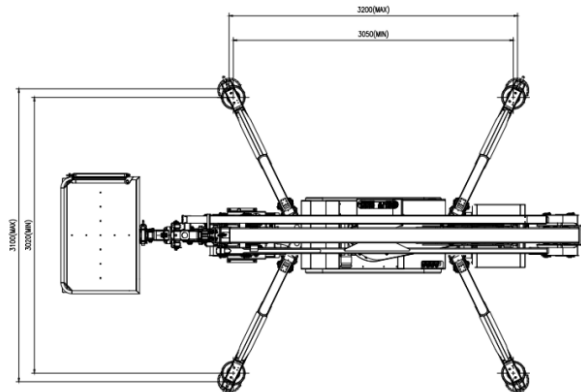
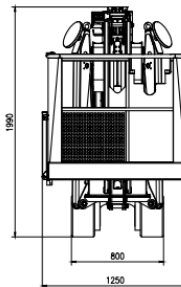
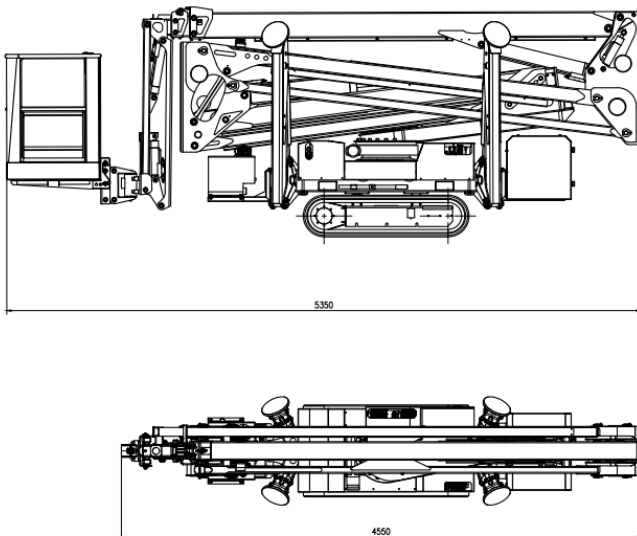
X21

Standard Parameters

Model	X21	GX69
Max. work height	21.00m	69'
Max. platform height	19.00m	62'
Load capacity	200kg	440lb
Lateral Outreach	9.50m	31'
Basket rotation	180°	
Jib rotation	90°	
Turntable rotation	360°	
Size of platform	1.2*0.8m	47" x 32"
Overall stowed length	5.35m	211"
Overall stowed length(removed basket)	4.55m	179"
Overall stowed width(removed basket)	0.80m	31"
Overall stowed height	1.99m	78"
Total weight	2850kg	6283lb
Driving speed km/h	0-2.5	
Max. work slope	20%	
Max. climbing ability	30%	
Dual Power capacity	220v AC power + Gasoline engine	



Technical data



Standard Features

- ▶ Compact design; various working application
- ▶ Detachable Basket
- ▶ Auto-leveling basket and outriggers
- ▶ Basket and ground operation are possible
- ▶ 360° non-continuous turntable rotation
- ▶ Hydraulically arms and outrigger interlocks
- ▶ Weight dispersal low ground pressure
- ▶ Made of high tensile steel
- ▶ Reach standards of ISO, CE and ANSI