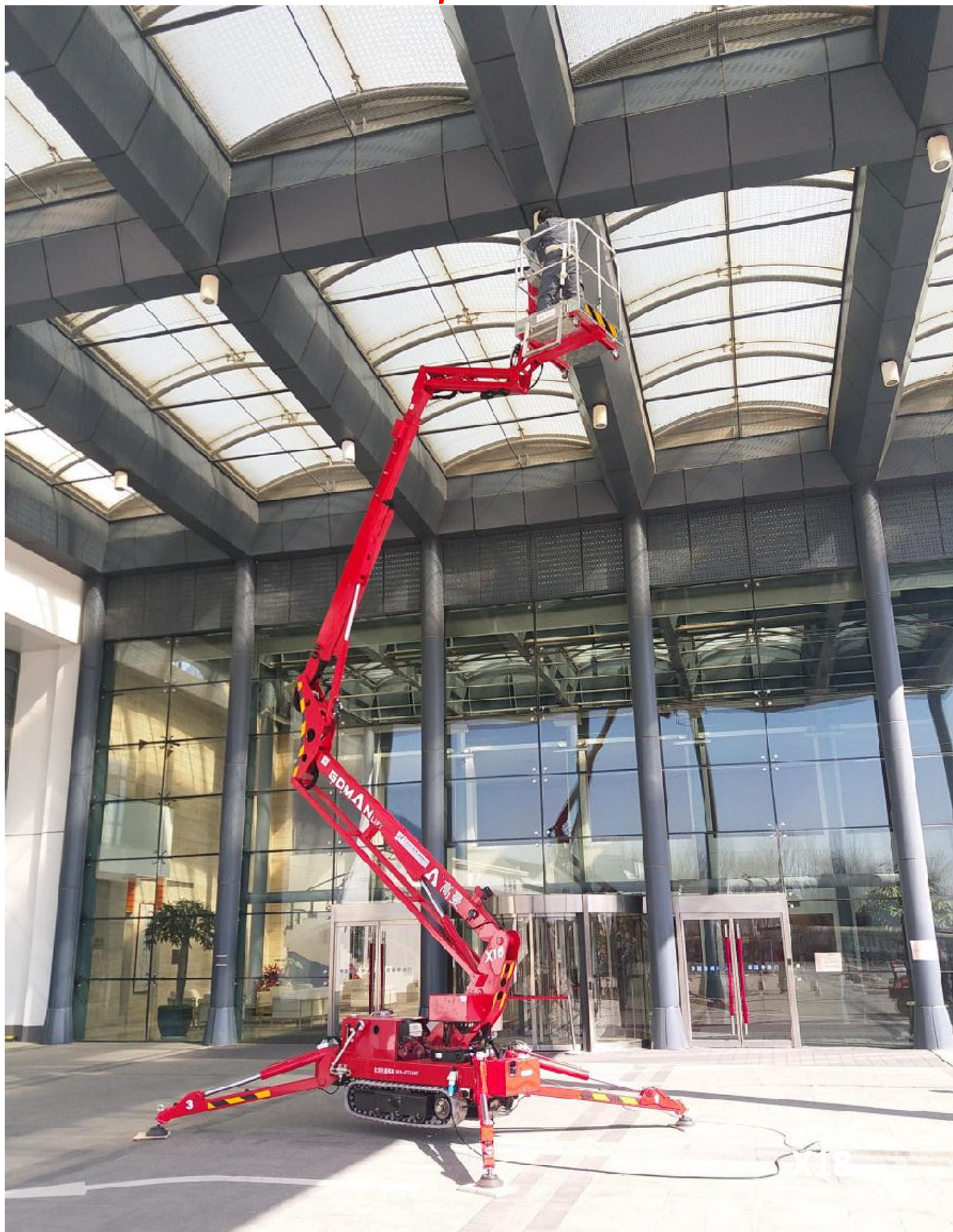


# GOMAN LIFT Spider X16 GX52

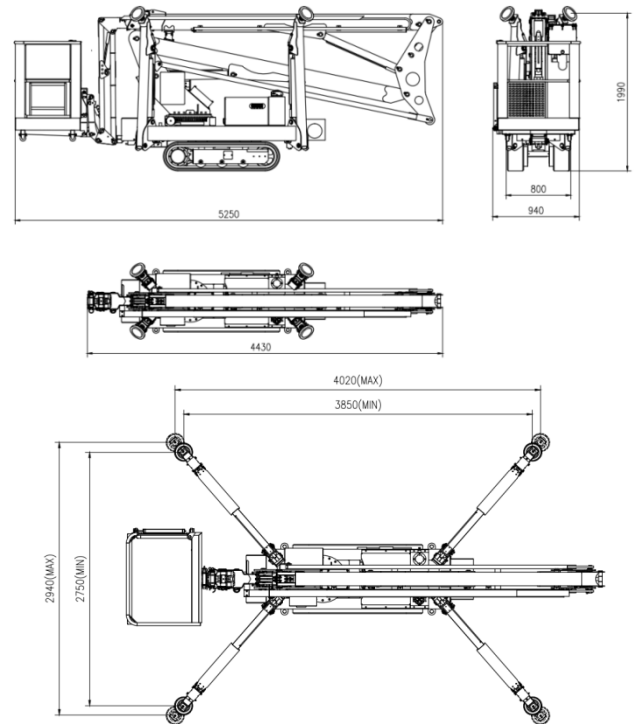
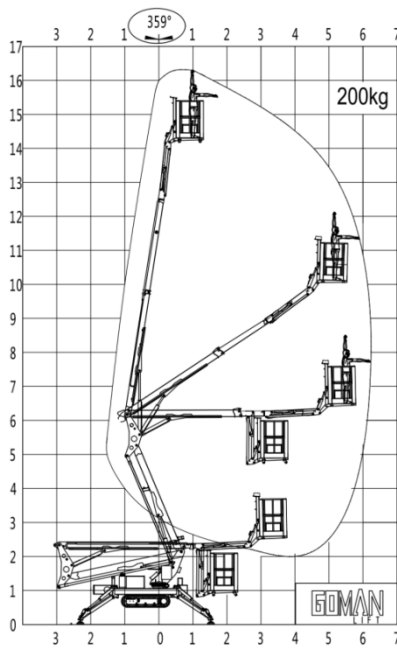


**Standard Parameters**

Model		<b>X16</b>	<b>GX52</b>
Max. work height	m	16.00	52'
Max. platform height	m	14.00	46'
Load capacity	kg	200	440lb
Lateral outreach	m	6.20	20"
Jib articulation			90°
Turntable rotation			359°
Size of platform		0.9*0.8m	36" x 31.5"
Overall stowed length		5.25m	207"
Overall stowed width		0.80m	36"
Overall stowed length		1.99m	78"
Total weight		1900kg	4189lb
Driving speed	km/h		0-2.2
Work slope			20%
Climbing ability			30%
Dual power sources		230v AC +Gas engine Honda GX390	



**Technical data**



**Standard Features**

- ▶ Compact design for indoor and outdoor use
- ▶ HMI and redundant PLC controller made Germany
- ▶ Self-leveling basket, and detachable
- ▶ Outriggers manual leveling, automatically as optional
- ▶ 230v(110) 50Hz 16A outlet in the work platform
- ▶ Hydraulically arms and outrigger interlock
- ▶ Weight dispersal low ground pressure
- ▶ Made of high tensile steel, hot dip galvanized boom available
- ▶ Cable remote control, radio control as optional
- ▶ Reach standard of ISO, CE and ANSI