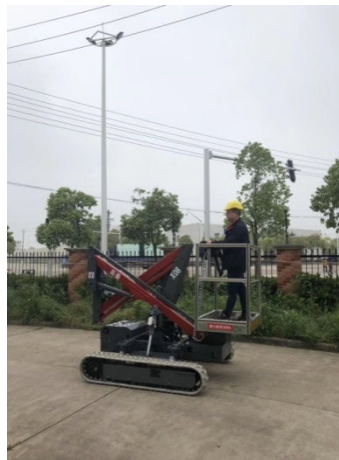




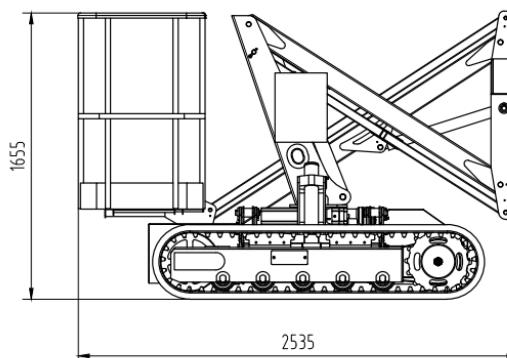
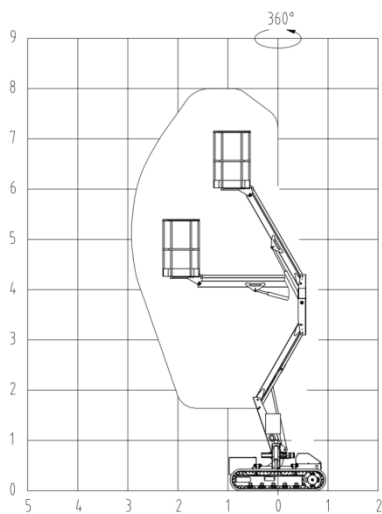
X08

Standard Parameters

Model	X08	GX26
Max. work height	8.00m	26'
Max. platform height	6.00m	20'
Load capacity	160kg	353lb
Max. working radius	2.90m	10'
Size of platform	0.9*0.7*1.1m 36" x 28"x 43"	
Overall stowed length	2.53m	100"
Overall stowed width	1.39m	55"
Overall stowed height	1.66m	65"
Total weight	1085kg	2392lb
Driving speed km/h	0-5.0	
Max. work slope	20%	
Max. climbing ability	30%	
Dual Power Options	Gasoline engine Honda GX270 / Lithium Battery 24V 140AH	



Technical data



Standard Features

- ▶ Low ground pressure due to light weight, easy to turn around.
- ▶ HMI LCD display, double CPU for redundant control.
- ▶ Full proportional control
- ▶ Self-leveling platform
- ▶ Emergency descend system
- ▶ 360° continuous turntable rotation
- ▶ High driving speed
- ▶ Made of high tensile steel
- ▶ double axles adjustable
- ▶ With ISO9001 and CE-approval ISO CE